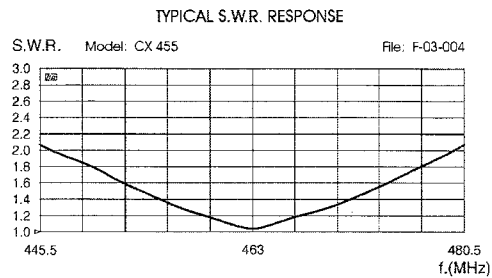
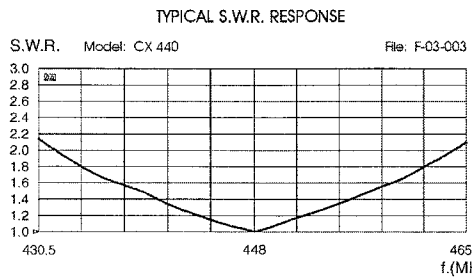
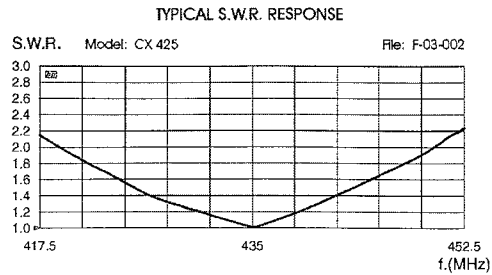
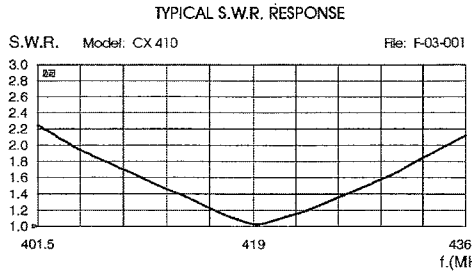
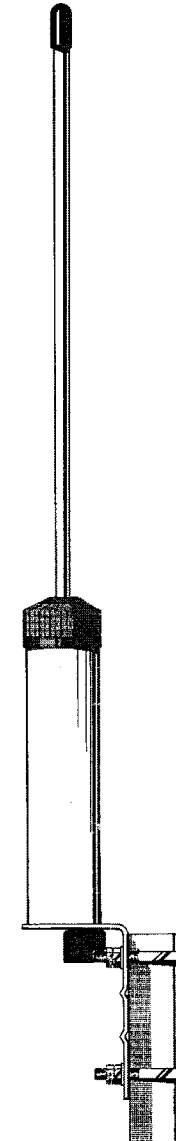
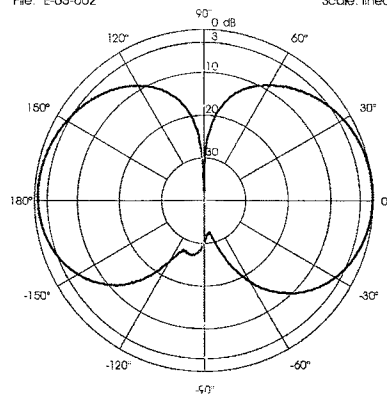


# Model CX 70cm

## UHF Base Station Antennas 410-470 MHz



TYPICAL RADIATION PATTERN In E-plane at mid-band  
File: E-03-002 Scale: linear



## Installation Manual

## DESCRIPTION

3/4  $\lambda$  UHF antennas for base station service made of hi-quality materials to get the maximum efficiency and the best performance. It is completely manufactured with aluminium tubes and nylon for its great robustness and it is supplied with a solid steel bracket for an easy and safe installation everywhere. Its Gamma Match feed makes it earthed for a perfect protection against the discharges. In the mentioned range of frequencies, no adjustments are required. It is particularly recommended for the 70cm amateur band.

## SPECIFICATIONS

### Electrical Data

Type	:	3/4 $\lambda$ Coax. J-Pole
Frequency Range:		
CX 410	:	410-425 MHz
CX 425	:	425-440 MHz
CX 440	:	440-455 MHz
CX 455	:	455-470 MHz
Impedance	:	50 $\Omega$ Unbalanced
Radiation (H-Plane)	:	360° Omnidirectional
Radiation (E-Plane)	:	Beamwidth at -3 dB = 60°
Radiation angle deg.	:	6°
Polarization	:	Vertical
Gain	:	2 dBd - 4.15 dBi
Bandwidth at V.S.W.R. 2:1:		
CX 410, CX 425	:	31 MHz
CX 440, CX 455	:	33 MHz
V.S.W.R. at res. freq.	:	$\leq 1.2 : 1$
Max Power	:	200 Watts
Feed System / Position	:	Gamma Match / Base
Connection	:	"N" Female

### Mechanical Data

Materials	:	Nylon, Brass, Steel, Aluminium
Wind Load / Resistance	:	25 N at 150 Km/h / 180 Km/h
Wind Surface	:	0.02 m <sup>2</sup>
Height (approx.):		
CX 410	:	625 mm
CX 425	:	605 mm
CX 440	:	590 mm
CX 455	:	580 mm
Weight (approx.)	:	450 gr
Mounting Mast	:	$\varnothing$ 35-42 mm

## MOUNTING INSTRUCTIONS

